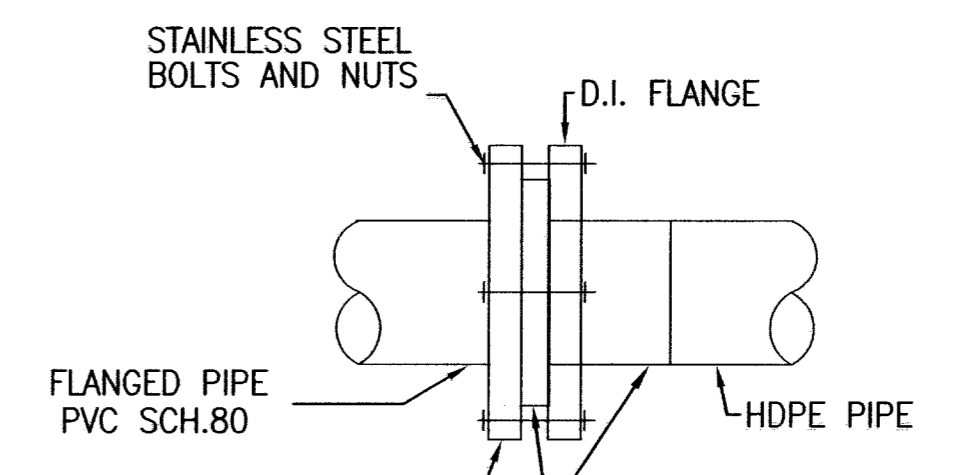
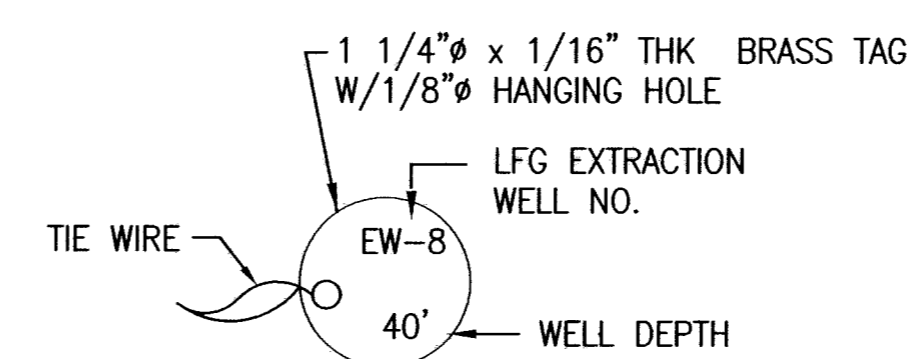
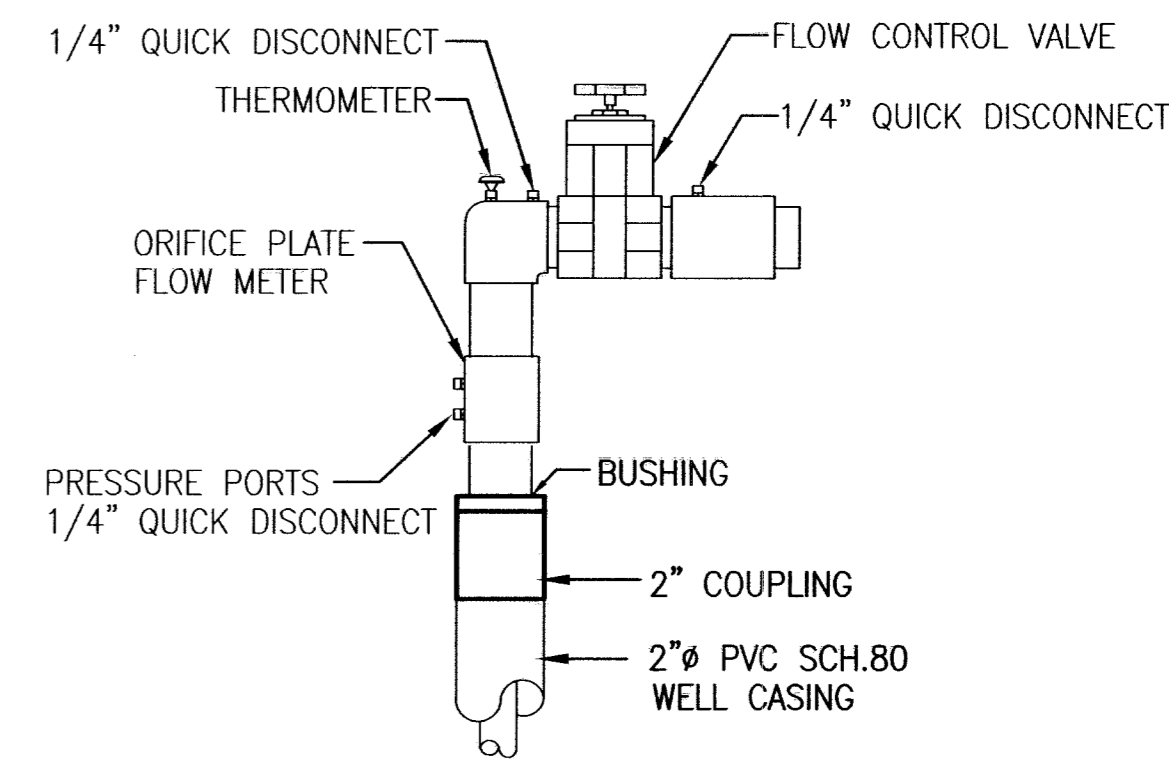
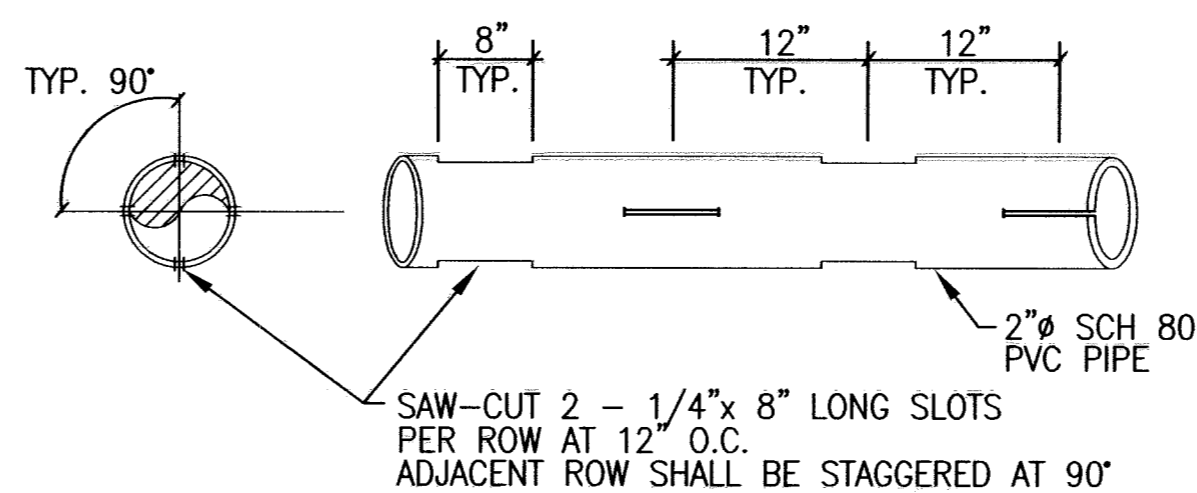
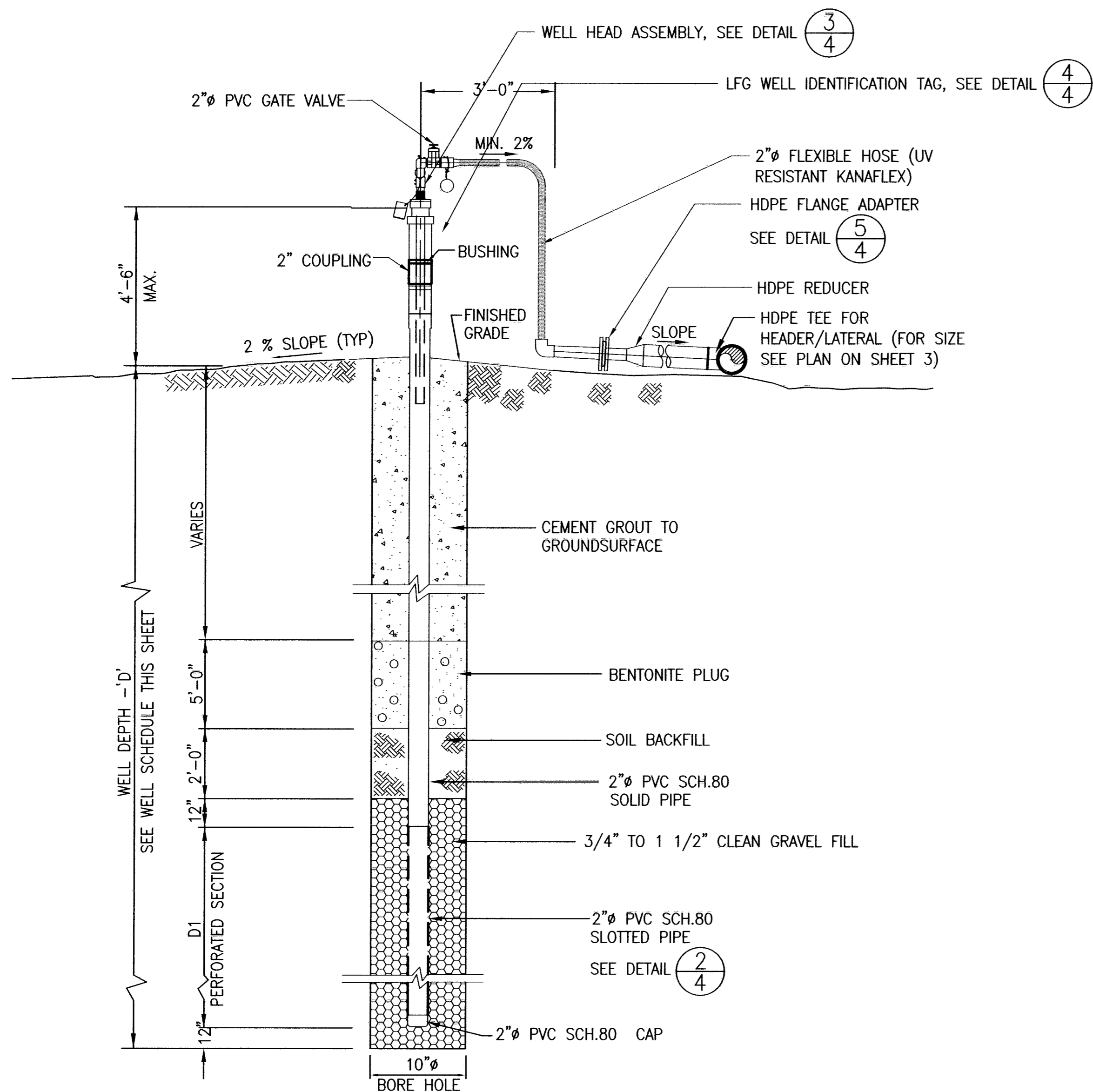
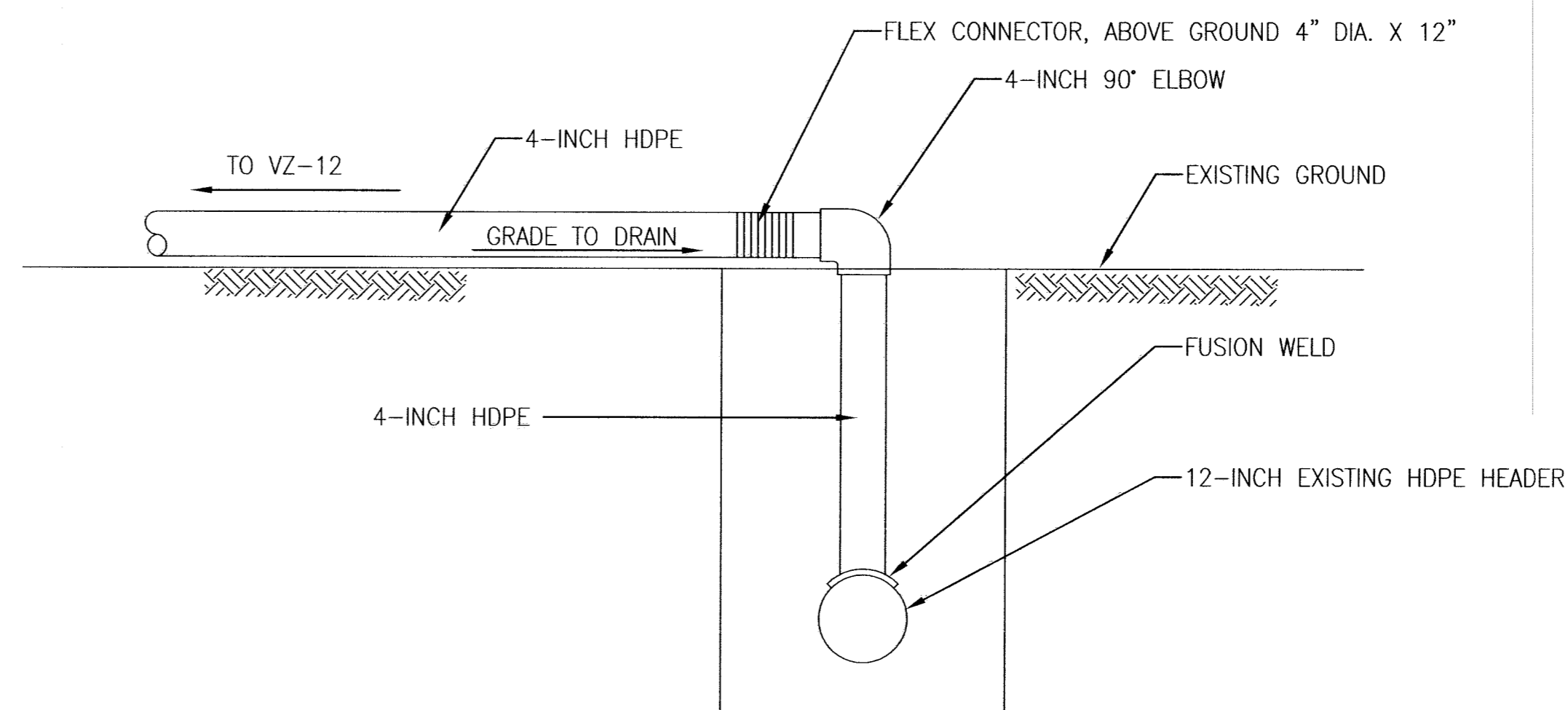
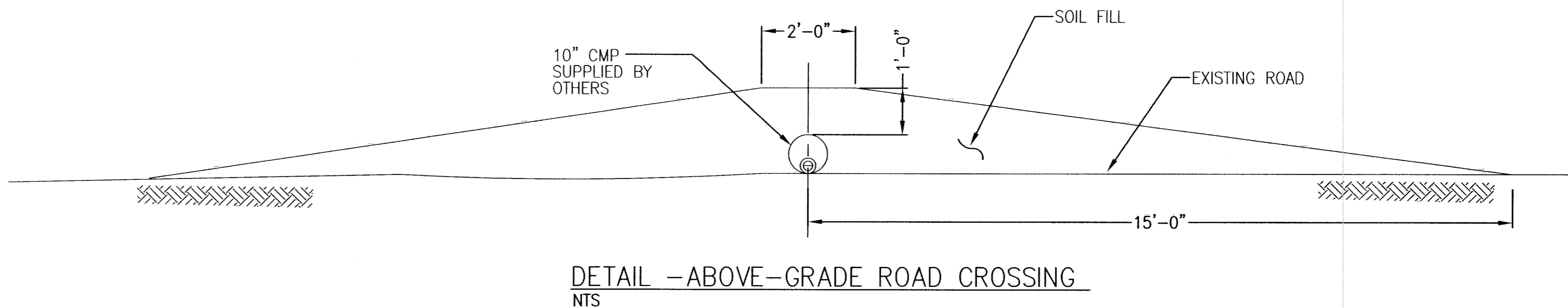


VADOZE ZONE LFG EXTRACTION WELL SCHEDULE

WELL No.	LOCATION COORDINATES		WELL DEPTH 'D' FT.	PERFORATED SECTION SEE NOTE BELOW 'D1' FT.	REMARKS
	NORTH	EAST			
VZ-9	13685.8	15944.2	90	60	
VZ-10	14265.5	16691.6	80	55	
VZ-11	14075.1	17254.9	85	50	
VZ-12	12154.9	16280.2	60	30	



DETAIL - VADOZE ZONE LFG EXTRACTION WELL N.T.S. (1/4)

DETAIL - IDENTIFICATION TAG N.T.S. (4/4)

DETAIL N.T.S. (5/4)

NO.	REVISION	DATE
	1	REV. PER COUNTY COMMENTS 03-05-08
SHEET TITLE VADOZE ZONE WELL SCHEDULE AND DETAILS		
PROJECT TITLE VADOZE ZONE WELL INSTALLATION NEAL ROAD LANDFILL BUTTE COUNTY, CALIFORNIA		
COUNTY OF BUTTE DEPARTMENT OF PUBLIC WORKS 7 COUNTY CENTER DRIVE OROVILLE, CALIFORNIA 95965		
SCS ENGINEERS ENVIRONMENTAL CONSULTANTS 8601 KOLL CENTER PKWY, SUITE 1140 PLEASANTON, CA 94586 PH: (925) 426-0080 FAX: (925) 426-0707 PROJ: 07202186.02 DWG. BY: ATV ACAD FILE: SHT 4 DES. BY: AAM CHK. BY: AAM APP. BY: AAM		
DATE: 1-07-2008		
SCALE: AS SHOWN		
DRAWING NO. 4		

